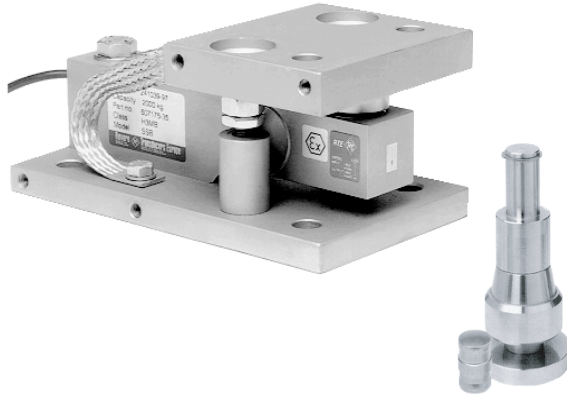


## SSB Self Aligning Accessories



### FEATURES

- Capacities: 500 - 5000kg
- Hardened components at all bearing surfaces
- Rocker pin load introduction
- Stainless steel or nickel plated steel versions available
- Built-in horizontal movement control and lift-off protection
- Load cell (re)placement after installation of the mount

### OPTIONAL FEATURES

- Optional stay rod assembly
- Suitable also for SBC load cells

### DESCRIPTION

The SSB self aligning silo mount, combined with the SSB load cell family, provides weighing assemblies suitable for process control, batch weighing, silo/hopper and belt scale applications.

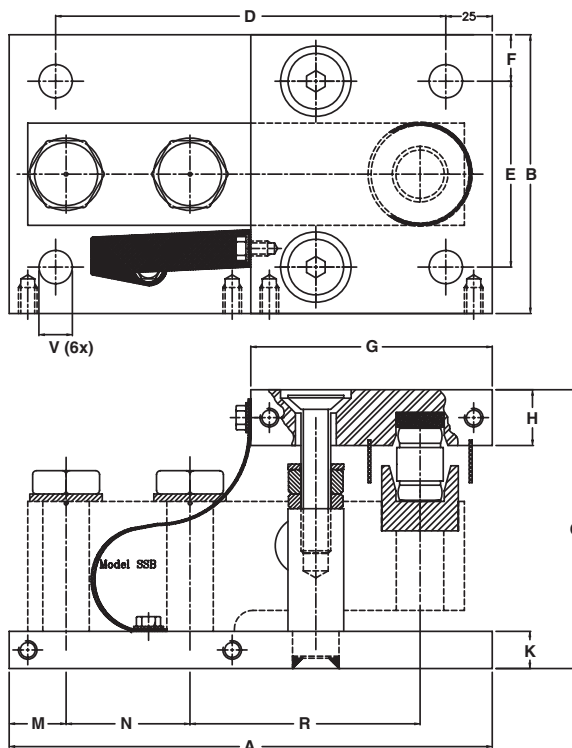
The SSB foot assembly is an ideal solution for medium capacity belt, pallet and platform scales.

The SSB mount and foot are based on a rocker pin design, combining excellent load introduction to the transducer with an overall low profile. Hardened components are used at all load bearing surfaces. The stainless steel construction guarantees long term reliability, even in the most harsh of environments.

### APPLICATIONS

- Process control
- Batch weighing
- Silo/hopper weighing
- Belt scale weighing

### OUTLINE DIMENSIONS in millimeters



Capacity	0.5 - 2t	5t	10t
A	210	250	260
B	120	150	150
C	120	135	150
D	160	200	210
E	80	100	100
F	20	25	25
G	100	120	130
H	20	20	30
K	15	20	20
M	21.9	30.6	30.6
N	63.5	66.7	66.7
R	98.4	123.8	123.8
V	Ø14	Ø18	Ø18

## ACCESSORIES

### Self Aligning Mount

The SSB mount permits controlled horizontal movement in all directions. The design allows the load cell to be (re)placed after installation of the mount. The critical load introduction area is mechanically protected.



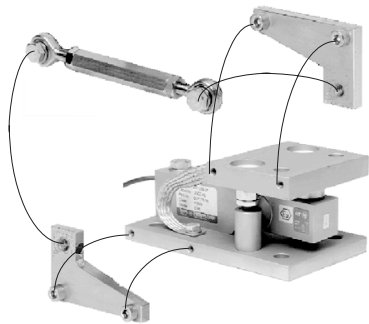
### Non Adjustable Foot

The non-adjustable foot carries the same specification and features as the height adjustable version, while providing an even lower overall profile.



### Stay Rod Assembly

If major load movement is anticipated stay rods should be used to restrain a platform or vessel. The SSB stay rod assembly can be bolted to the mount prior to, or after its installation.



### Height Adjustable Foot

The stainless steel foot, which has 5mm of height adjustment, provides excellent load introduction to the load cell. The foot allows flexibility in platform design without compromising overall system performance.



### FURTHER INFORMATION

		Height, assembly + SSB (0.5 2t)		Height, assembly + SSB (5t)	
Self Aligning Mount	mm	95		135	
Height Adj. Foot	mm	80+5		141+7	
Non Adj. Foot	mm	75		117	
Mount / Foot	Assembly Guidelines	Outline drawing (0.5-2t)		Outline drawing (5t)	
		Stainless steel	Nickel plated	Stainless steel	Nickel plated
Self Aligning Mount	AG 10/06-108/2	499046-10	499046-00	499047-10	499047-00
Stay Rod Assembly	AG 09/06-201/02	499063-10	499063-00	499064-10	499064-00
Height Adj. Foot		499079		499080	
Non Adj. Foot		499077		499078	

## VISHAY TRANSDUCERS (VT) SALES OFFICES

**VT Americas**  
 City of Industry, CA  
 PH: +1-626-858-8899  
 FAX: +1-626-332-3418  
 vt.us@vishaymg.com

**VT Netherlands**  
 Breda  
 PH: +31-76-548-0700  
 FAX: +31-76-541-2854  
 vt.nl@vishaymg.com

**VMG UK**  
 Basingstoke  
 PH: +44-125-646-2131  
 FAX: +44-125-647-1441  
 vt.uk@vishaymg.com

**VMG Israel**  
 Netanya  
 PH: +972-9-863-8888  
 FAX: +972-9-863-8800  
 vt.il@vishaymg.com

**VMG Germany**  
 Heilbronn  
 PH: +49-7131-3901-260  
 FAX: +49-7131-3901-2666  
 vt.de@vishaymg.com

**VT China**  
 Tianjin  
 PH: +86-22-2835-3503  
 FAX: +86-22-2835-7261  
 vt.prc@vishaymg.com

**VMG France**  
 Chartres  
 PH: +33-2-37-33-31-20  
 FAX: +33-2-37-33-31-29  
 vt.fr@vishaymg.com

**VT Taiwan\***  
 Taipei  
 PH: +886-2-2696-0168  
 FAX: +886-2-2696-4965  
 vt.roc@vishaymg.com  
 \*Asia except China